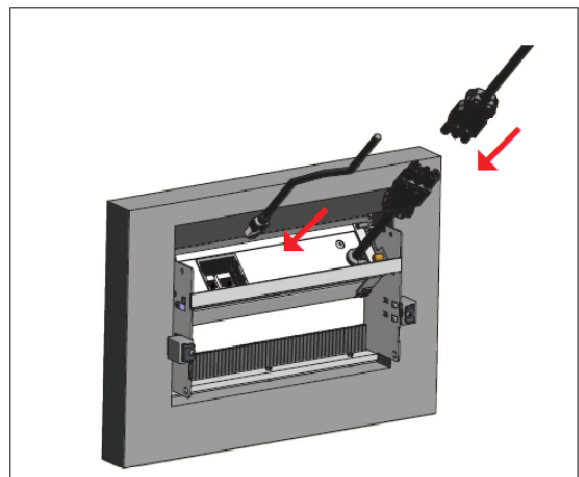
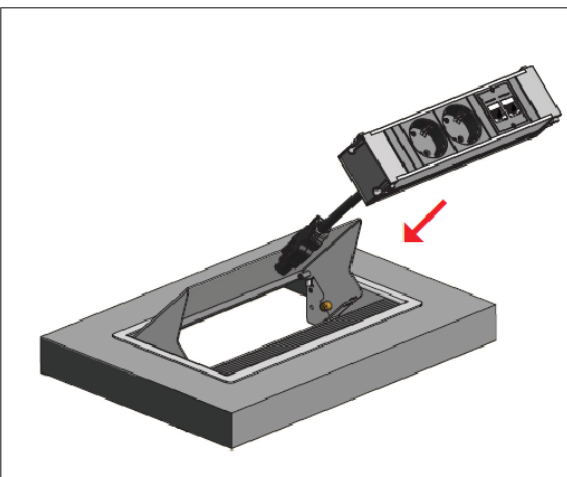
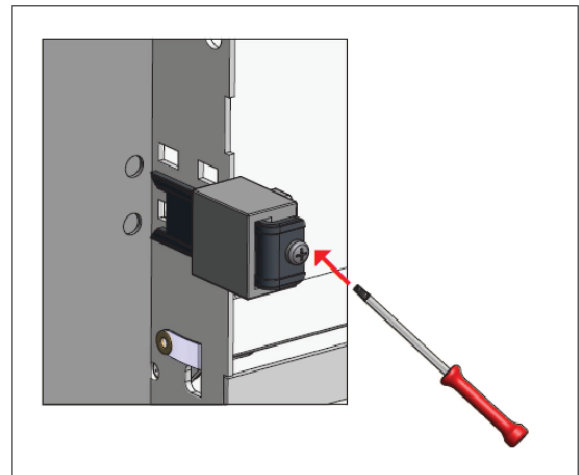
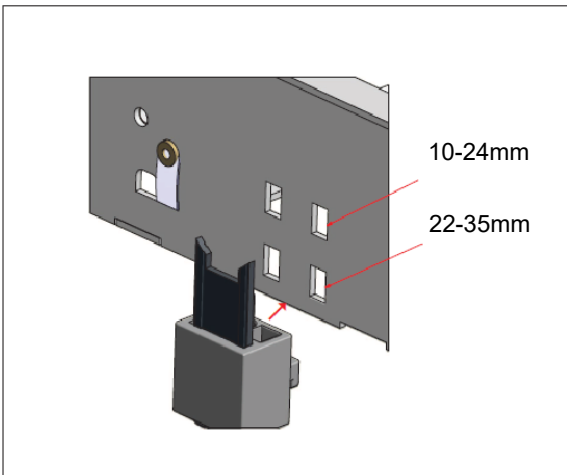
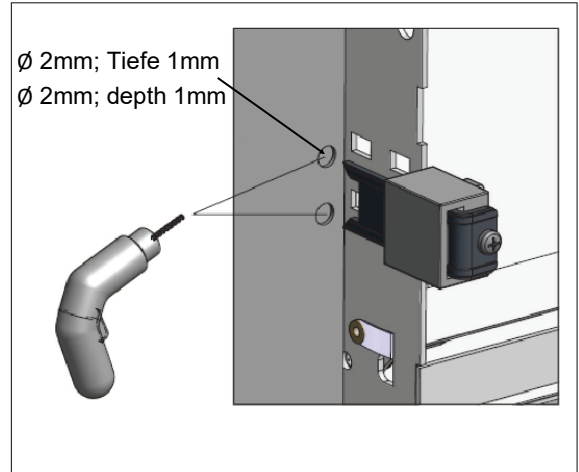
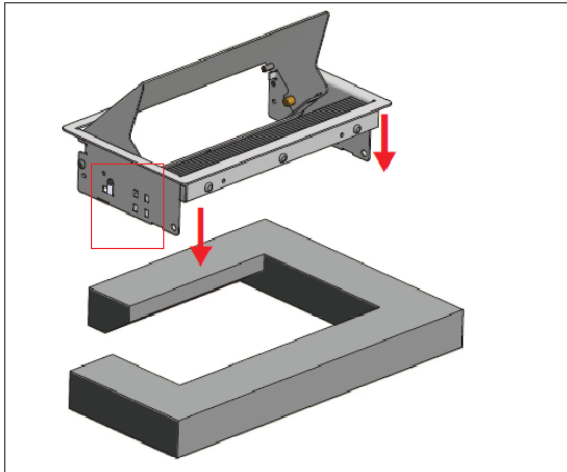
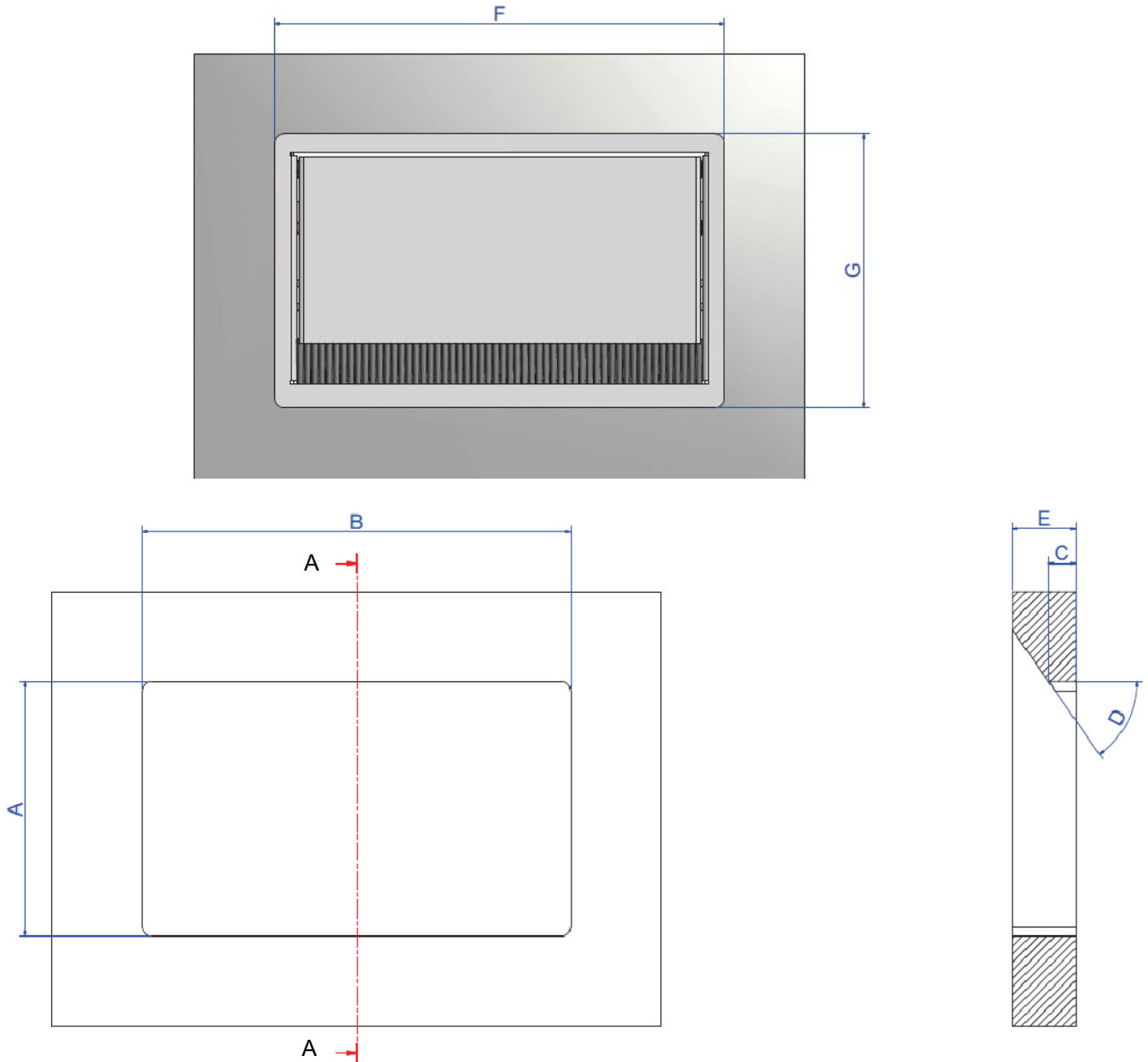


DE Montageanleitung  
EN Mounting instructions  
FR Instructions de montage

ES Instrucciones de montaje  
RO Instrucțiuni de montare  
IT Istruzioni per l'installazione





Tisch-Ausschnittmaße / Table cut-out dimensions

	A	B	C	D	E	F	G
S	138mm	230mm	15mm	55°	10-35mm	248mm	151mm
M	138mm	272,5mm	15mm	55°	10-35mm	290,5mm	151mm
L	138mm	368,5mm	15mm	55°	10-35mm	386,5mm	151mm

Achtung: Toleranz für alle A-/B-Maße = + 0,50mm

Attention: Tolerance for all A-/B-dimensions = + 0,50mm

Ausschnitt für flächenbündige  
Version dem Produkt anpassen  
Eckenradius 5mm

Adapt table section to product for  
flush-mounted version  
radius 5mm

DE Montageanleitung

ES Instrucciones de montaje

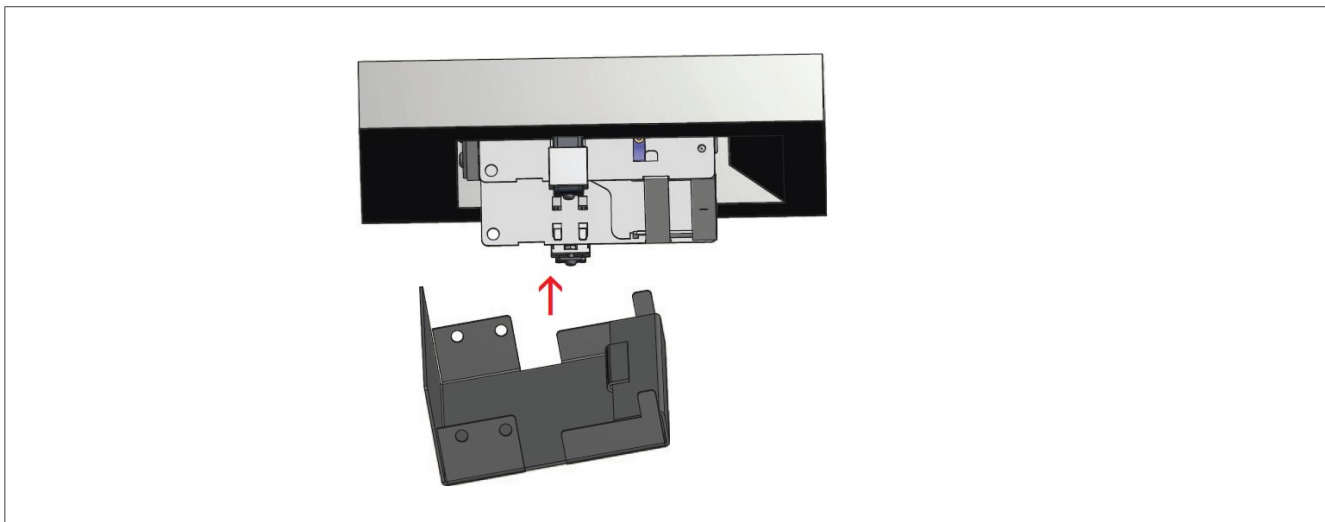
EN Mounting instructions

RO Instrucțiuni de montare

FR Instructions de montage

IT Istruzioni per l'installazione

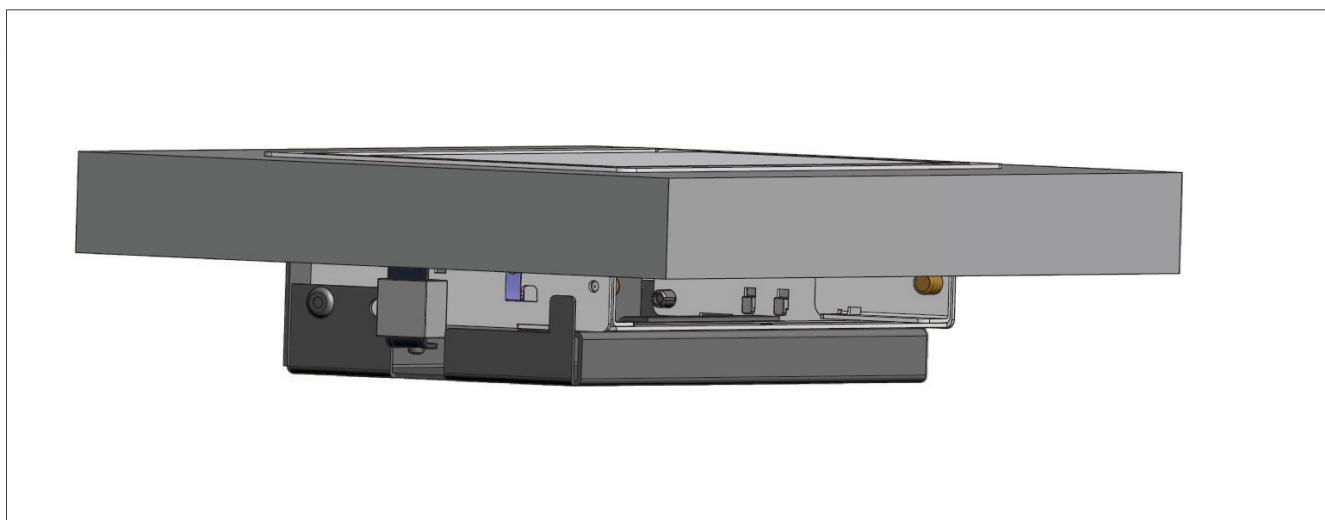
1

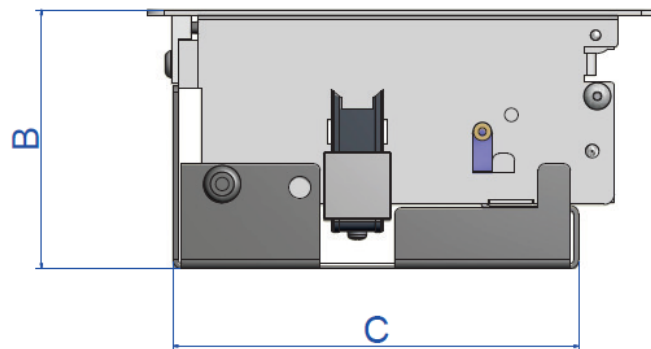


2



3





	A	B	C
S	231,2mm	76,5mm	120mm
M	273,7mm	76,5mm	120mm
M-L	316,2mm	76,5mm	120mm
L	369,7mm	76,5mm	120mm